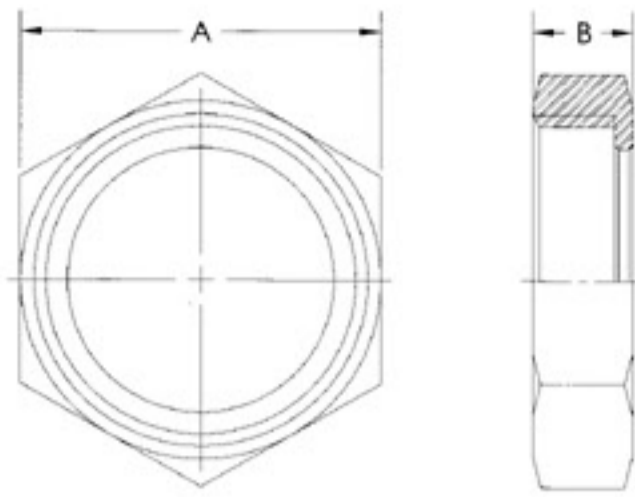
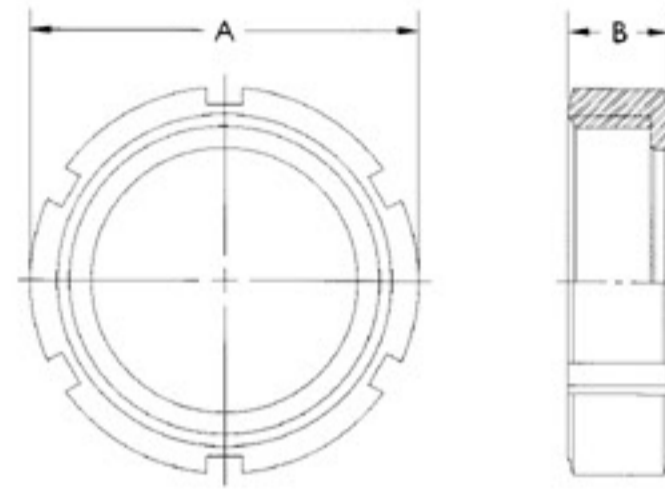


© RJT-13H/ Hex Nut



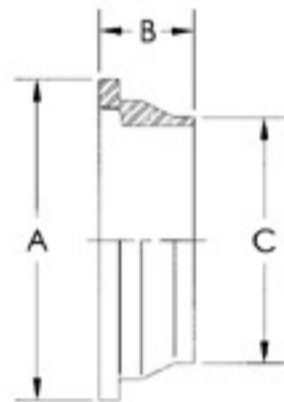
SIZE	A	B
1"	50.8	22.2
1.1/2"	65.0	22.2
2"	79.4	22.2
2.1/2"	92.1	22.2
3"	104.8	22.2
4"	130.2	22.2

© RJT-13R/ Round Nut



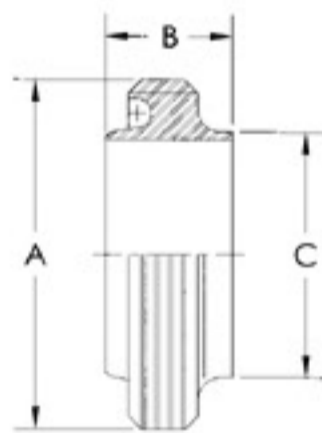
SIZE	A	B
1"	58.5	22.2
1.1/2"	74.0	22.2
2"	85.5	22.2
2.1/2"	98.5	22.2
3"	111.6	22.2
4"	138.0	22.2

© RJT-14/ Welding Liner



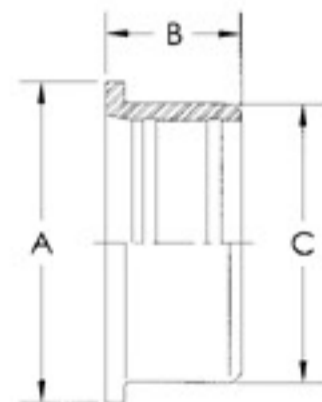
SIZE	A	B	C
1"	41.3	19.5	25.7
1.1/2"	54.0	19.5	38.4
2"	66.7	19.5	51.1
2.1/2"	79.4	19.5	63.8
3"	92.1	19.5	76.5
4"	117.5	19.5	101.9

© RJT-15/ Welding Male Part



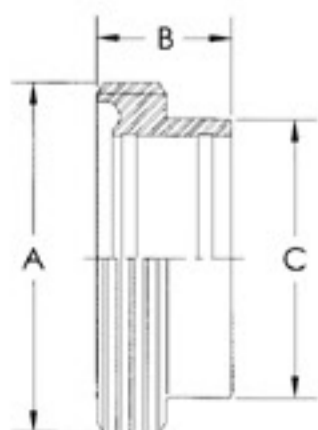
SIZE	A	B	C
1"	45.7	25.9	25.7
1.1/2"	58.4	25.9	38.4
2"	72.7	25.9	51.1
2.1/2"	85.4	25.9	63.8
3"	98.1	25.9	76.5
4"	123.5	25.9	101.9

© RJT-14R/ Expanding Liner



SIZE	A	B	C
1"	41.3	20.0	32.5
1.1/2"	54.0	24.0	45.2
2"	66.7	28.0	57.9
2.1/2"	79.4	32.0	70.6
3"	92.1	32.0	83.3

© RJT-15R/ Expanding Male Part



SIZE	A	B	C
1"	45.7	20.0	32.5
1.1/2"	58.4	24.0	45.2
2"	72.7	28.0	57.9
2.1/2"	85.4	32.0	70.6
3"	98.1	32.0	83.3